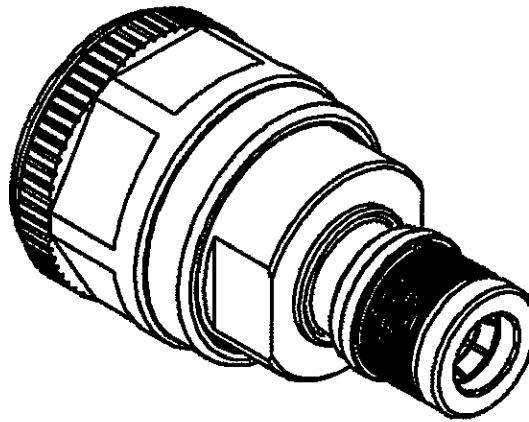
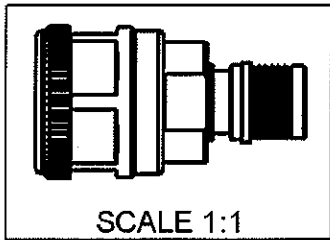
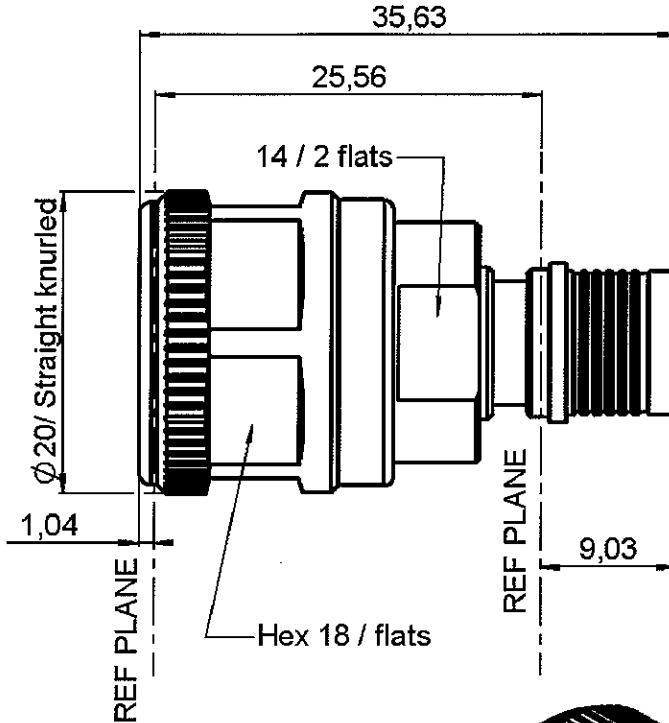


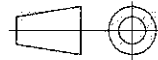
**QMA MALE - N MALE STRAIGHT ADAPTER**

**R191.765.000**

Série : ADAPT



All dimensions are in mm.



COMPONENTS	MATERIALS	PLATING (µm)
BODY	BRASS	BBR 2
CENTER CONTACT	BRASS	GOLD 1.3 OVER COPPER 2.5
OUTER CONTACT	BRASS	BBR 2
INSULATOR	PTFE	
GASKET	-	
OTHERS PARTS	BRASS	BBR 2
-	-	-
-	-	-

Issue : 0745 A

In the effort to improve our products, we reserve the rights to make changes judged to be necessary.



**QMA MALE - N MALE STRAIGHT ADAPTER**

**R191.765.000**

Série : ADAPT

**PACKAGING**

**SPECIFICATION**

Standard	Unit	Other
Single	-	Contact us

**ELECTRICAL CHARACTERISTICS**

**ENVIRONMENTAL**

Impedance	50	Ω
Frequency	0 - 6	GHz
VSWR	1.3 + 0,0000	x F(GHz) Maxi
Insertion loss	0.06	√F(GHz) dB Maxi
RF leakage	-( *80	- F(GHz)) dB Maxi
Voltage rating	500	Veff Maxi
Dielectric withstanding voltage	1000	Veff mini
Insulation resistance	5000	MΩ mini

Operating	-40/+80	° C
Hermetic seal	NA	Atm.cm3/s
Panel leakage	NA	

**MECHANICAL CHARACTERISTICS**

**OTHER CHARACTERISTICS**

Center contact retention		
Axial force – Mating end	27	N mini
Axial force – Opposite end	27	N mini
Torque	NA	N.cm mini

\*RF Leakage interf. only: 3<F<6GHz=>70dB  
< -120 dBc at 1.8 GHz (2 x 20 W)

Recommended torque		
Mating	170	N.cm
	0	N.cm
	0	N.cm
Panel nut	NA	N.cm
Mating life	100	Cycles mini
Weight	32,3900	g

Issue : 0745 A

In the effort to improve our products, we reserve the rights to make changes judged to be necessary.



**RADIALL**®